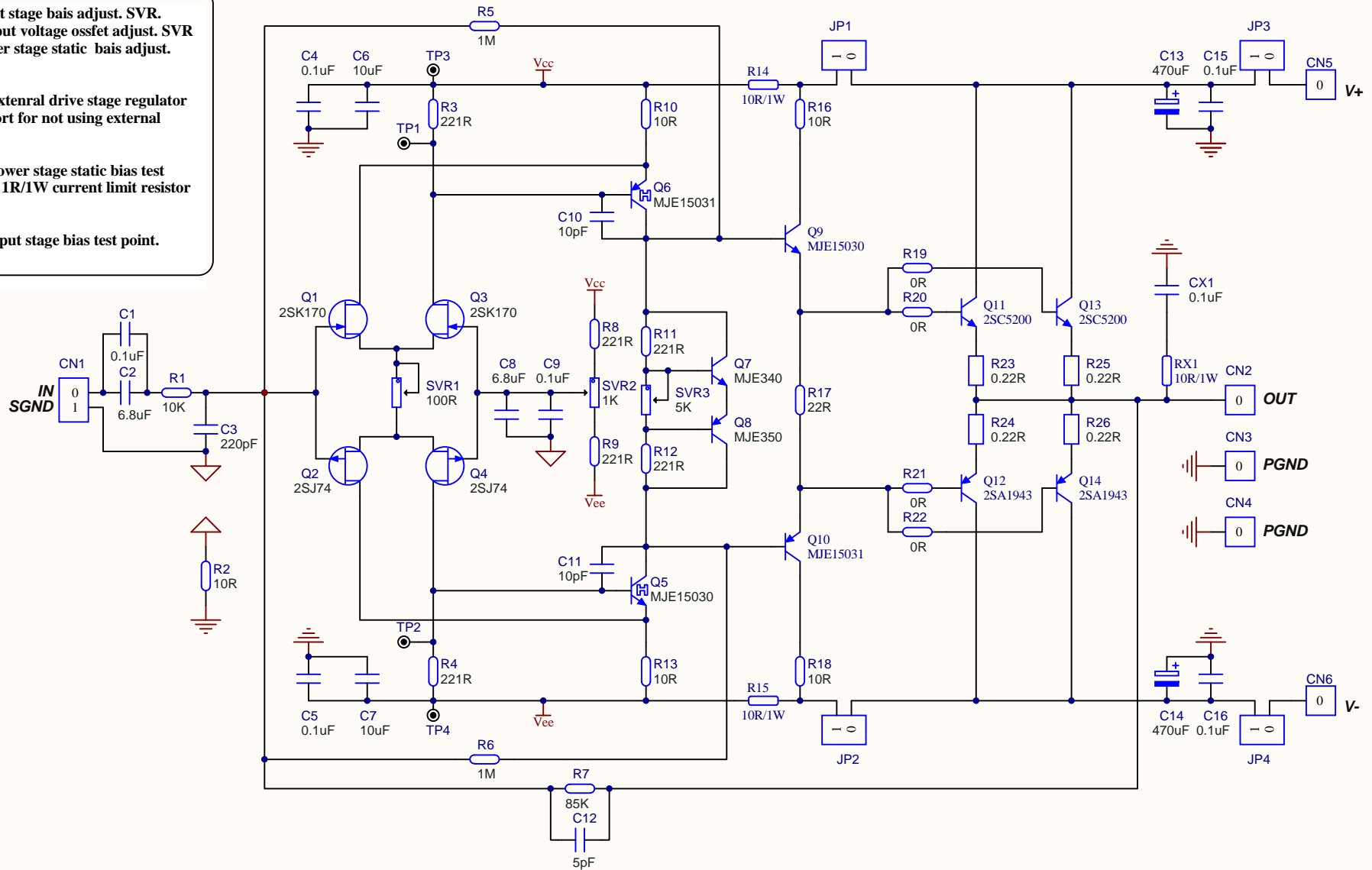


SVR1: Input stage bias adjust. SVR.
 SVR2: Output voltage offset adjust. SVR
 SVR3: Power stage static bias adjust. SVR

JP1, JP2: External drive stage regulator jumper, Short for not using external regulator.

JP3, JP4: Power stage static bias test point, using 1R/1W current limit resistor for adjust.

TP1TP4: Input stage bias test point.



JC-3 CLASS A POWER AMPLIFIER